

SINGLE-SPLIT PACKAGED AIR CONDITIONERS

2019 / 2020

INVERTER

Panasonic
BUSINESS



**Building Passion,
Building Solutions.**
Panasonic Air Conditioning Systems

We face a time in which "quality air" differentiates business. It's a time for Panasonic to fully display its strengths. Our ability to assemble and build superior systems isn't just due to the rich resources we have as a comprehensive electronics manufacturer, but also to Panasonic's 100 years of tradition, where each person thinks and acts on their own initiative while working in a team to reach further heights. We do not compromise. Each of our independent selves is a one stop solution. We face our customers' challenges together with our customers and do all that we can to build effective systems. As a true partner for our customers, we strive to always be at the forefront of business.

- Please read the Installation Instructions carefully before installing the unit, and the Operating Instructions before using it.
- Specifications are subject to change without prior notice.
- The contents of this catalogue are accurate as of June 2019.
- Due to printing considerations, the actual colours may vary slightly from those shown.
- All graphics are provided merely for the purpose of illustrating a point.



Do not add or replace refrigerant other than the specified type. Manufacturer is not responsible for the damage and deterioration in safety due to usage of other refrigerant.

Authorised Dealer

PAC INVERTER SINGAPORE JUNE 2019



Panasonic Singapore

Care Line: +65-62227222
Address: 202, Bedok South Avenue 1, Block A Singapore 469332
Email: service@sg.panasonic.com
Website: www.panasonic.com.sg



Panasonic Global Air Conditioner

Global Site : aircon.panasonic.com
PROClub : panasonicproclub.global



airconpanasonicglobal



QUALITY AIR FOR LIFE

Extremely Clean Air and Energy-Saving Efficiency

Panasonic packaged air conditioners offer comfortable room environments. They all come standard equipped with unique nanoe™ technology that suppresses unpleasant odors and inhibits bacteria and viruses. And they feature a wide lineup of indoor and inverter type outdoor units for use in a variety of locations, such as offices, residences, restaurants, and shops. Panasonic air conditioners provide solutions for comfortable, clean air and energy savings at all times.



CONTENTS

Introduction 2-3
 Model Line-Up 4-5

Feature Highlight

nanoe™ TECHNOLOGY 6-7
 4-Way Cassette **NEW** 8-9
 Flexible Installation **NEW** 10-11
 Remote Controller 12-13

Specifications

4-Way Cassette **NEW** 14-15
 Mini Cassette 16-17
 Ceiling Ducted 18-19
 Ceiling Exposed **NEW** 20-21

Outdoor Units **NEW**

Dimensions 21-25



What's new



New nanoe™ X containing plenty of OH radicals that Inhibits bacteria and virus, deodorizes unpleasant odors and keeps room air clean and fresh.

4-Way Cassette **NEW**



Provides a neat fit in the ceiling to match modern decor, and uniform cooling throughout the room, plus easy installation.

Flexible Installation **NEW**



Highly efficient inverter operation achieves superior energy-savings. And all models are 1-Fan types for easier installation and construction.

MODEL LINE-UP

A Wide Lineup to Fit Your Needs

The wide lineup suits a variety of applications, in offices, classrooms, restaurants, shops, and more. And all outdoor units are now 1-Fan types (excluding Ceiling Ducted type), making them smaller and lighter than previous models. Installation and construction are also easier.

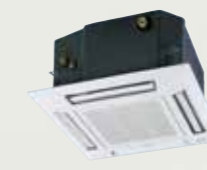
4-WAY CASSETTE

NEW



The 4-way direction airflow released through four flaps provides wide and even cooling.

MINI CASSETTE



Mini Cassette types equipped with the 4-way airflow system are compact in size and particularly suitable for small to medium-sized offices and restaurants.

CEILING EXPOSED

NEW



Providing outstanding energy-saving performance, comfort and long-distance air flow distribution, these units are perfect for retail stores and schools.

CEILING DUCTED



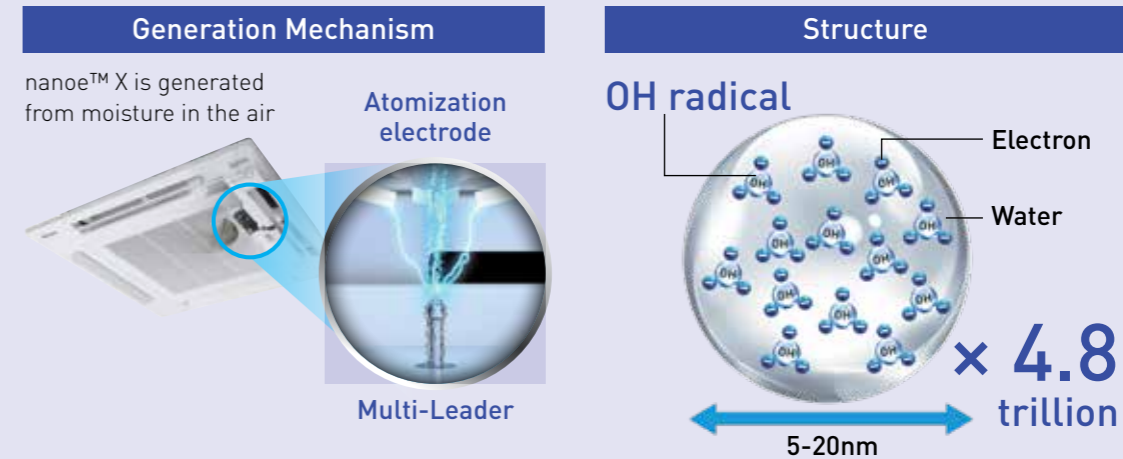
Offering remarkable overall cooling coverage of the entire building, Ceiling Ducted types are suitable for premises with concealed or false ceilings such as business centres.

Capacity (Btu/h)	11,600	17,100-19,100	23,200-24,200	30,700-34,100	35,200-42,600	
NEW 4-WAY CASSETTE Standard Equipped 	Indoor P.14-15	 S-18PU2Z5 	 S-24PU2Z5 	 S-34PU2Z5 	 S-43PU2Z5 	
	NEW CEILING EXPOSED Standard Equipped 	Indoor P.20-21			 S-38PT2T5 	 S-43PT2T5
	Outdoor P.21	 U-18PS2Z5	 U-24PS2Z5	 U-34PS2Z5	 U-43PS2Z5	
MINI CASSETTE	Indoor P.16-17	 CS-S12MB4ZW	 CS-S18MB4ZW			
	Outdoor P.22	 CU-S12MBZ	 CU-S18MBZ			
CEILING DUCTED	Indoor P.18-19		 CS-T19KD2H5	 CS-T24KD2H5	 CS-T34KD2H5	
	Outdoor P.22-23		 CU-YT19KBH52	 CU-YT24KBH52	 CU-YT34KBH52	

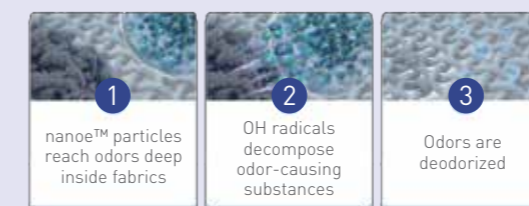


nanoe™ X Mechanism

Amount of OH radicals increases without increasing amount of ozone, leading to improved effectiveness!



How to Deodorize Odor*1 *2 *3



How to Inhibit Bacteria, Virus and Mold*4 *5 *6 *7 *8



nanoe™ is Panasonic's unique air purifying technology. Introduced in 2003, nanoe™ has brought comfortable, clean air to a wide variety of living environments. By conducting further research & development, Panasonic has now succeeded in developing nanoe™ X, with dramatically increased performance.

nanoe™ X Improves Air Quality

Panasonic's unique nanoe™ X has an outstanding effect on various air pollutants, including allergens, viruses and bacteria, as well as cigarette and other household odors. It takes reliable air purification performance another step forward.



Deodorizes unpleasant odors*1 *2 *3



nanoe™ X works on the substances responsible for odors to deodorize them.

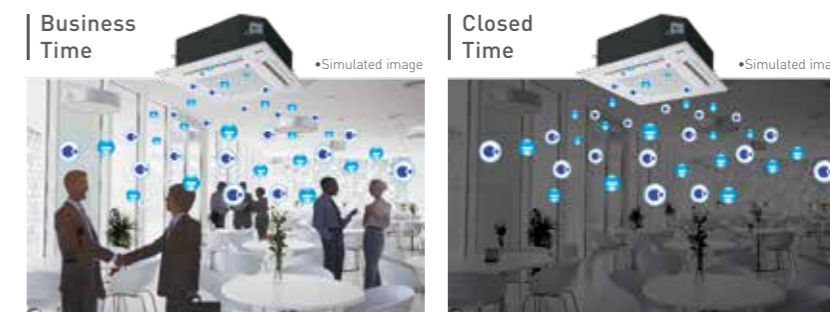
Inhibits bacteria and virus*4 *5 *6 *7 *8



nanoe™ X suppresses airborne particles including bacteria, viruses and mould.

Also Cleans the Air When Not Air Conditioning

You can also use nanoe™ X in Fan mode when you're not cooling or heating the room. For example, you can use nanoe™ X to effectively suppress bacteria and odors without using excessive electricity when the office is empty or after business hours in a restaurant.



AC Mode + nanoe X
nanoe™ X purifies the room while maintaining the comfort temperature when people are in presence.

FAN Mode + nanoe X
After closing shops and facilities, nanoe™ X can perform air purification while they are not in use.

Case Examples of nanoe™



*1 Adhering odor of cigarette [Effectiveness]: Decrease by 1.7 level [Testing Institute]: Gunma Research Center [Test Report No]: No. 27055 [Result]: Decrease in odor intensity by 0.7 level after 2 hour of operation.
 *2 Floating odor of cigarette [Effectiveness]: Decrease by 0.8level [Test Lab Size]:136.5m3 [Testing Institute]: Panasonic Corporation Product Analysis Center [Test Report No]: 4AA33-170117-A01 [Result]: Decrease in odor intensity by 0.8 level after 2 hour of operation.
 *3 Adhering odor of Meat Grilling [Effectiveness]: Decrease by 0.9 level [Test Lab Size]:67.7m3 [Testing Institute]: Panasonic Corporation Product Analysis Center [Test Report No]: 4AA33-170203-A03 [Result]: Decrease in odor intensity by 0.9 level after 2 hour of operation.
 *4 Mould [Effectiveness]: Inhibit Mould Growth [Testing Institute]: Japan Food Research Laboratories [Test Report No]: 13044083002-01 [Result]: The growth of the subject was inhibited after 8-hour nanoe™ operation.
 *5 Bacteria [Effectiveness]: 99% [Testing Institute]: Kitasato Research Center for Environmental Science [Test Report No]: KRCEs-Env. Test Report 24_0301_1 [Result]: 99% of deactivation after 4-hour nanoe™ operation.
 *6 Bacteria [Effectiveness]: 99% [Testing Institute]: Japan Food Research Laboratories [Test Report No]: 13044083002-01 [Result]: The growth of the subject was inhibited after 8-hour nanoe™ operation.
 *7 Viruses [Effectiveness]: 99% [Testing Institute]: Kitasato Research Center for Environmental Science [Test Report No]: KRCEs-Env. Test Report 24_0300_1 [Result]: 99% of deactivation after 6-hour nanoe™ operation.
 *8 Viruses [Effectiveness]: 99% [Testing Institute]: Japan Food Research Laboratories [Test Report No]: 13001265005-01 [Result]: 99% of deactivation after 8-hour nanoe™ operation.

4-Way Cassette NEW



Provides a neat fit in the ceiling to match modern decor, and uniform cooling throughout the room, plus easy installation.



Powerful Airflow

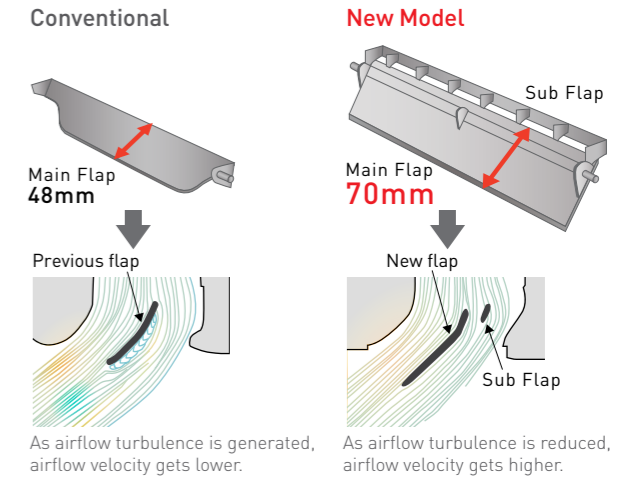
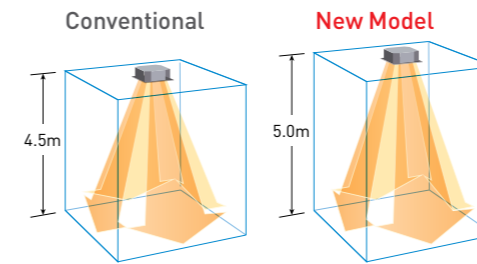
The Turbo Fan with Twisted 3D Blades with compact design can increase airflow.



4-Way Cassette

Wide Flap

Adding a sub flap and widening the main flap have reduced turbulence and increased airflow. Also, the wider angle jetting port allows the airflow to reach as far as five meters.



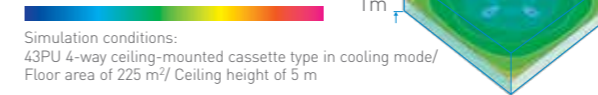
360° Wide & Comfortable Airflow

Air coming out of the centre of the discharge outlets travels farther. Air is discharged across a wide area from the four sides of the unit. The curves on the room temperature distribution graph expand gently out through 360° in a circle centred on the indoor unit.



360° Wide

Temperature distribution by thermograph (cooling operation)



Ample airflow

Capacity Class (K Btu)	17.1	23.2	32.4	36.9
4-Way Cassette	22	25	34	36.4

m³/min

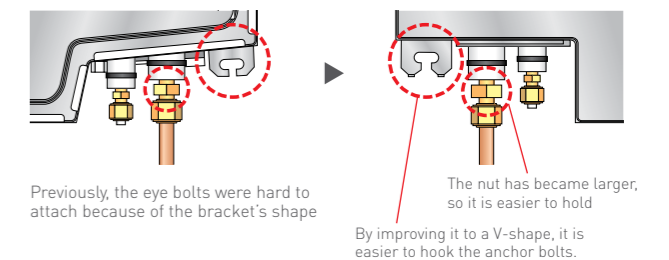
Flat Horizontal Design

Panasonic believes that one of the most important elements of design is that it doesn't interfere with the overall room interior. The flat horizontal design of the 4-way Cassette achieves an elegant, yet simple form. This design allows it to protrude only 33.5 mm from the ceiling, to blend naturally into a variety of interiors, including offices and restaurants.



Easy Installation Design

With conventional models, it was difficult to use tools without damaging the interior. The new series have employed a new structure for easier installation.





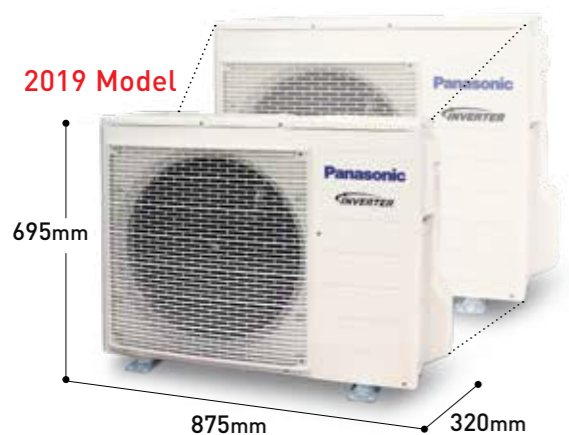
Space Saving Outdoor Unit

Panasonic's ingeniously designed outdoor units are compact in size to fit into any space and layout. Its smaller size makes it easy to install even in limited spaces. Flexibility in piping allows more freedom in installation leading to a reduced installation costs.

18-24 type Model

4-Way Cassette Outdoor Units (U-18PS2Z5 / U-24PS2Z5)

Conventional Model (CU-YT19KBH52)
H795 × W875 × D320



Height 795mm

695mm



Weight 65kg

41kg*



*18 type:41kg, 24 type:43kg

34-43 type Model

4-Way Cassette Outdoor Units (U-34PS2Z5 / U-43PS2Z5)

Conventional Model (CU-T43SBZ5)
H1,340 × W900 × D320



Height 1,340mm

996mm



Weight 110kg

74kg*



*34 type: 73kg, 43 type: 74kg

Advantages of Panasonic Inverter System



High Efficiency Energy Performance

The performance of our previous models is now achieved by smaller outdoor units. The Coefficient of Performance has been greatly improved to reduce power consumption.



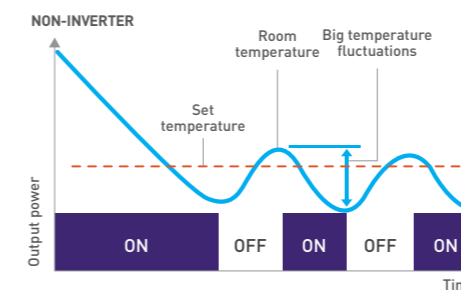
*4-Way Cassette 18 type model



Inverter Technology

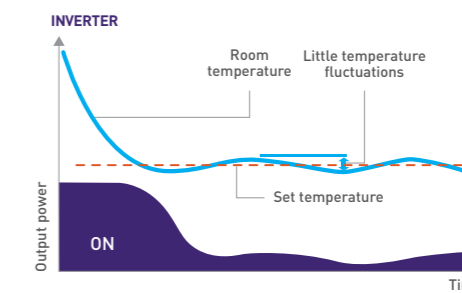
Precise Temperature Control

INVERTER prevents wasteful energy consumption by varying the compressor rotation speed to maintain the set temperature.



Legend: ■ Output Power — Temperature
Remark: Energy is wasted by switching the compressor ON and OFF to maintain the set temperature.

Non-INVERTER air conditioner can only operate at a constant speed which is too powerful to maintain the set temperature. This results in wider temperature fluctuations leading to wasteful consumption of energy.



Legend: ■ Output Power — Temperature
Remark: Saves energy by varying the rotation speed of the compressor to maintain the set temperature.

The Panasonic INVERTER air conditioner varies the compressor's rotation speed, providing a precise method of maintaining the set temperature and it gives you exceptional energy saving performance.

Easy Installation

Piping can be extended up to 30m without additional gas charging, and up to 50m with additional gas charging. By giving you more flexibility in positioning the outdoor unit, this gives you a wider range of installation options.

*For 4-Way Cassette, Ceiling Exposed

Refrigerant Charge less Up to 30m

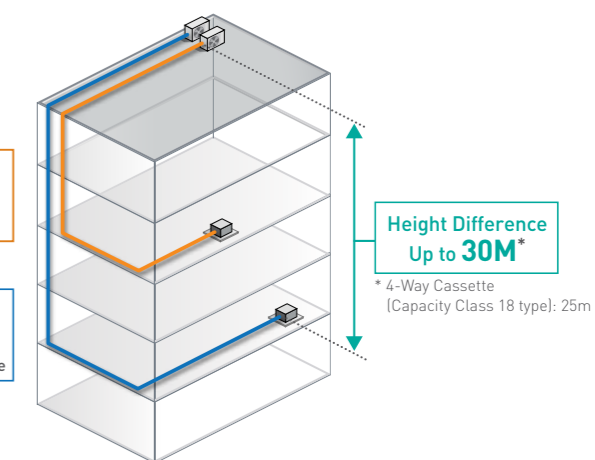
No additional gas charging is needed up to 30m. Installation is easy and hassle-free.

*For 4-Way Cassette, Ceiling Exposed

Additional Piping Up to 30M

&

Max Piping Length Up to 50M with additional gas charge



Height Difference Up to 30M*

*4-Way Cassette (Capacity Class 18 type): 25m

Precise Control, Easy Comfort

Panasonic Single-split Packaged Air Conditioner Remote Controllers are designed with user comfort in mind. Multiple settings are available so airflow and air quality can be regulated according to preferences. Users can also opt for a wired remote controller equipped with high-performance timer.



Wired Remote Controller CZ-RD513C

(For 4-Way Cassette and Ceiling Exposed Type)



*Ceiling Ducted Type remote controller is in the same package.

Wireless Remote Controller / Receiver

4-Way Cassette Type (Optional)



CZ-RL013UH

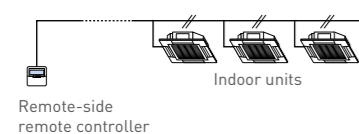
Ceiling Exposed Type (Optional)



CZ-RL013TT

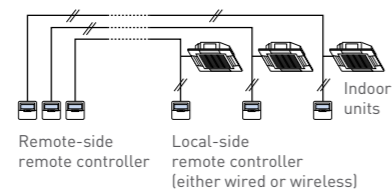
Settings can be regulated with 3 control options:

Group Control by a single remote controller



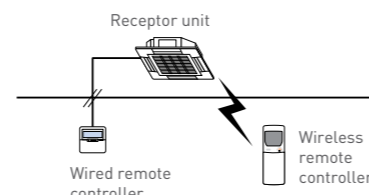
- All indoor units operate in the same mode.

Separate Control by Twin Remote Controllers



- Each indoor unit can be operated by either of the two remote controllers.
- Apart from the timer setting time, the displays for the two remote controllers are identical.
- The last button pressed has priority (The main or slave attribute is set with the remote controller).

Common Control by Both Wired and Wireless Remote Controllers



- The last button pressed has priority (using either wired or wireless remote controllers).

Weekly Timer (For All Models)

1. Timer can be set for each day of the week.
2. Can be pre-set with: •Max. 6 settings/day •42 settings/week.
3. The temperature can also be programmed for optimal comfort.

Can be set to accommodate different conditions

<p>Businesses with regular off days</p> <p>Example: Saturday afternoon - CLOSED Sunday - CLOSED</p>	<p>Businesses with varying visitor flows at different timings</p> <p>Example: Lunchtime - More visitors, lower temperature</p>	<p>Can be set to switch off automatically</p> <p>Example: Avoid power wastage even if users forget to turn it off (weekdays)</p>
<p>Mon-Fri On 9:00, Off 18:00 Sat On 9:00, Off 12:00 Sun Not set</p>	<p>Daily Settings</p> <p>On 12:00 23°C On 14:00 28°C</p>	<p>Mon-Fri Off 20:00</p>

▶ Timer settings can be different everyday of the week. ▶ Timing & temperature can be set simultaneously. ▶ Timer can be set for simple shut-off operation.

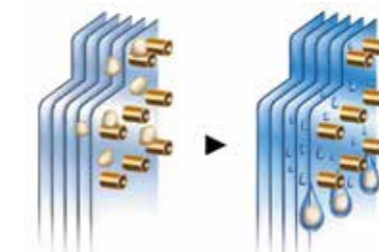
Setting the timer

*Simple Timer Mode
Using the 24-Hour ON/OFF timer, ON/OFF operations can be set at the same time daily.

Odor Wash (For All Models*)

Reduces unpleasant odors caused by the air conditioner's heat exchanger.

Odor Removing ONE PUSH



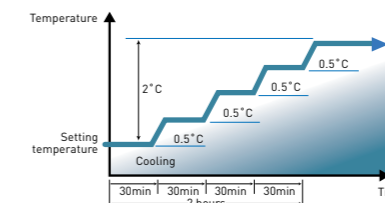
When air from the outlet smells musty, moisture in the heat exchanger washes away odors.

Can be operated with the wireless remote controller.

* Except for wireless remote controller of Ceiling Exposed type.

Economy Mode (For All Models)

Saves up to 20%* energy. The air conditioner determines the stable condition and moderately shifts the set temperature in 0.5-degree steps to regulate the energy-saving operation (max. 2 degrees).



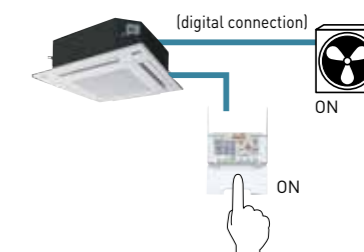
Can be operated with the wireless remote controller.

* Except for wireless remote controller of Ceiling Exposed type.

** During operating in the cooling mode at the remote control set temperature of 25 under the cooling standard temperature conditions.

Ventilation (For All Models)

When an external device such as a ventilator is connected to the indoor unit, the ventilator's ON/OFF operations can be controlled by the wired remote controller. You can select from either link-ventilation or independent-ventilation.



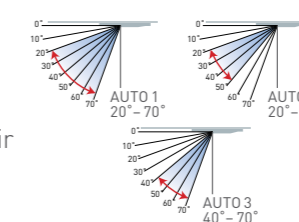
Ventilators are not included in the product line-up. OPTIONAL : Printed circuit board (Interface Adapter for External Signals CZ-TA31P*) is needed.

*Printed Circuit Board CZ-TA31P

- By connecting to the indoor unit, a separately sold ventilator can be controlled.
- Remote operation control of the indoor unit is enabled (ON/OFF control).
- The condition of the indoor unit (malfunctions, operating status) can be output externally.
- Control in linkage to a total heat exchanger or similar devices is possible.

Multi Comfort Air Control (For 4-Way Cassette Models)

New control technology gives users a wide selection of more specific airflow angles. Choose from the 3-Pattern Auto Swings to avoid direct exposure to cool air (total 50-degree swing width).

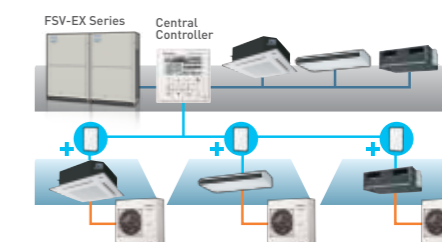


Central Control Adapter

Using Central Control Adapter along with the existing VRF units, a centralized control system is possible. Temperature management can be achieved by expanding low-to-mid sizes together.



Even buildings with additional air conditioning systems can be central controlled



4-WAY CASSETTE NEW

Model No.
S-18PU2Z5
S-24PU2Z5
S-34PU2Z5
S-43PU2Z5



TECHNICAL FOCUS

- nanoe™ X for Air Purification
- Powerful Airflow
- Wide Flap
- Simplistic Design
- LCD Wireless Remote Controller
- Easy Installation Design



Accessories

Panel

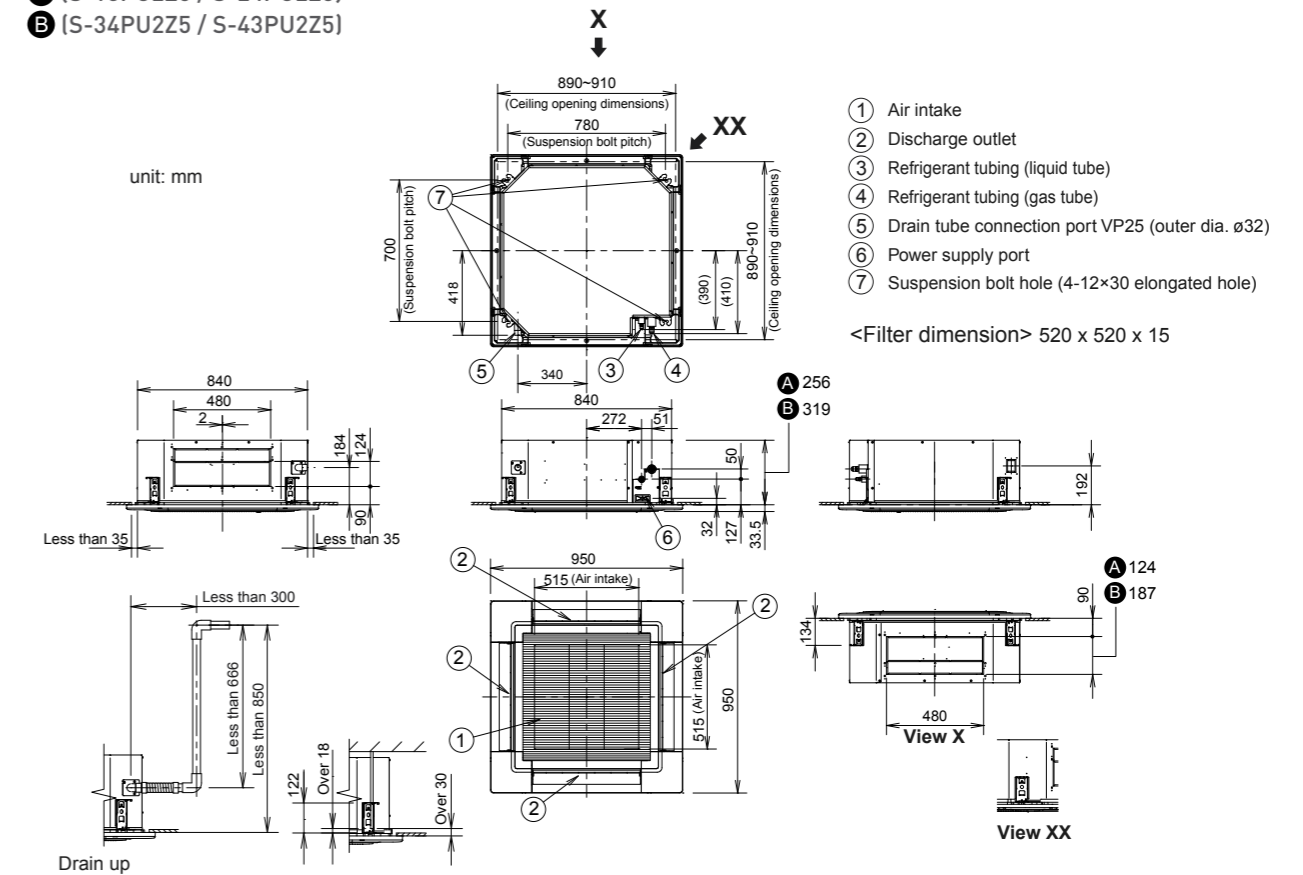


Selectable Remote Controller



Dimensions

- A** (S-18PU2Z5 / S-24PU2Z5)
- B** (S-34PU2Z5 / S-43PU2Z5)



* Adjust the suspension bolt length so that the gap from the lower ceiling surface becomes 30 mm or more (18 mm or more from the lower surface of the body) as shown in the figure. When the suspension bolt length is long, it hits the ceiling panel and installation is not possible.

Capacity [Btu/h]		17,100	23,200	32,400	36,900
Power Source	V/Phase Hz	220-240 V, 1Ø Phase - 50 Hz			
Indoor		S-18PU2Z5	S-24PU2Z5	S-34PU2Z5	S-43PU2Z5
Outdoor		U-18PS2Z5	U-24PS2Z5	U-34PS2Z5	U-43PS2Z5
Panel		CZ-KPU3H	CZ-KPU3H	CZ-KPU3H	CZ-KPU3H
Cooling Capacity: Rated (Min-Max)	kW	5.0 [2.2-5.7]	6.8 [2.7-9.2]	9.5 [3.8-11.8]	10.8 [3.8-13.4]
	Btu/h	17,100 [7,510-19,500]	23,200 [9,210-31,400]	32,400 [13,000-40,300]	36,900 [13,000-45,700]
Current: Rated (Max)	A	5.6-5.1 [9.5]	7.7-7.1 [13.0]	11.5-10.6 [24.0]	15.2-13.9 [26.0]
Power Input: Rated (Min-Max)	kW	1.19 [0.44-1.49]	1.65 [0.64-2.77]	2.28 [0.80-4.00]	3.00 [0.78-5.32]
	W/W	4.20	4.12	4.17	3.60
Rated COP / EER	Btu/hW	14.37	14.06	14.21	12.3
	W/W	4.87	4.56	5.09	4.63
Weighted COP / EER*	Btu/hW	16.62	15.56	17.35	15.79
Indoor Unit					
Air Volume	m ³ /min	22.0	25.0	34.0	36.4
Sound Pressure Level [Hi/Lo]	dB [A]	40 / 32	42 / 33	46 / 37	47 / 39
Sound Power Level [Hi/Lo]	dB	55 / 47	57 / 48	61 / 52	62 / 54
Dimension	Indoor [H×W×D]	mm	256 × 840 × 840	256 × 840 × 840	319 × 840 × 840
	Panel [H×W×D]	mm	33.5 × 950 × 950	33.5 × 950 × 950	33.5 × 950 × 950
Net Weight	Indoor	kg	21.0	21.0	24.0
	Panel	kg	5.0	5.0	5.0
Outdoor Unit					
Sound Pressure Level	dB [A]	47	50	54	55
Sound Power Level	dB	63	66	68	69
Dimension	Outdoor [H×W×D]	mm	695 × 875 × 320	695 × 875 × 320	996 × 980 × 370
		mm	695 × 875 × 320	695 × 875 × 320	996 × 980 × 370
Net Weight	kg	41.0	43.0	73.0	74.0
Piping Connection	Gas Pipe	mm (inch)	15.88 [5/8]	15.88 [5/8]	15.88 [5/8]
	Liquid Pipe	mm (inch)	9.52 [3/8]	9.52 [3/8]	9.52 [3/8]
Pipe Length	Min-Max	m	7.5-50	7.5-50	7.5-50
Elevation Difference	m	25	30	30	30
Maximum Chargeless Length	Max	m	30	30	30
Additional Gas	g/m	50	50	50	50
Operating Range, Outdoor	Min-Max	°C	16-43	16-43	16-43

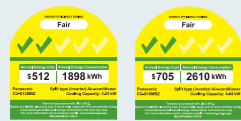
MINI CASSETTE

Model No.
CS-S12MB4ZW
CS-S18MB4ZW



TECHNICAL FOCUS

- 4-Way Airflow System
- LCD Wireless Remote Controller
- Random Auto Restart
- Removable Washable Panel
- 24 Hours Real On Off Timer
- Dew Prevention Control
- Anti Freezing Control



CU-S12MBZ CU-S18MBZ



Accessories

Panel



CZ-BT20EW

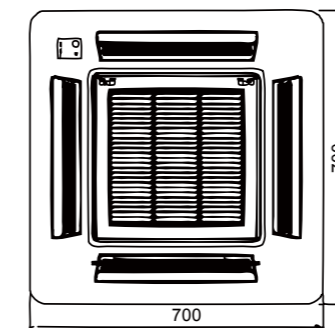
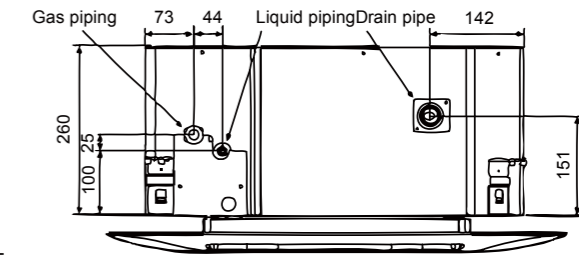
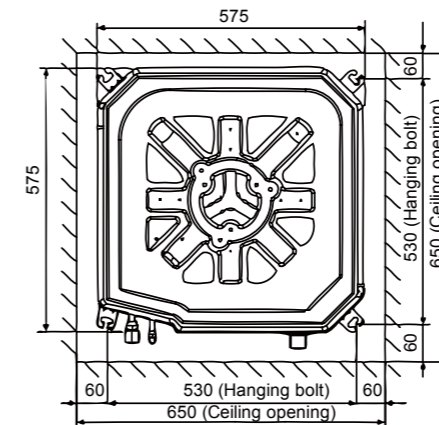
Selectable Remote Controller



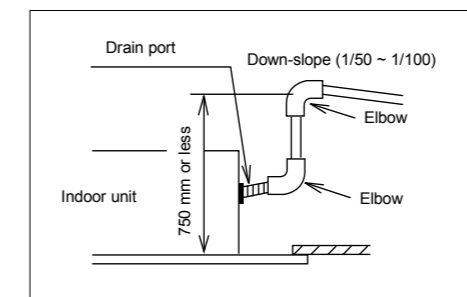
A wireless remote controller is in the same package with the indoor unit.

Capacity [Btu/h]		11,600	16,000
Power Source	V/Phase Hz	220-240 V, 1Ø Phase - 50 Hz	
Indoor		CS-S12MB4ZW	CS-S18MB4ZW
Outdoor		CU-S12MBZ	CU-S18MBZ
Panel		CZ-BT20EW	CZ-BT20EW
Cooling Capacity: Rated (Min-Max)	kW	3.40 [0.93-4.40]	4.70 [0.98-5.60]
	Btu/h	11,600 [3,170-15,000]	16,000 [3,340-19,100]
Current: Rated	A	4.8-4.5	6.3-5.9
Power Input: Rated (Min-Max)	kW	0.98 [0.26-1.33]	1.34 [0.27-1.65]
Rated COP / EER	W/W	3.47	3.51
	Btu/hW	11.84	11.94
Weighted COP / EER*	W/W	4.08	4.01
	Btu/hW	13.92	13.68
Indoor Unit			
Air Volume	m ³ /min	10.5	11.3
Sound Pressure Level* [Hi/Lo/Q-Lo]	dB [A]	34 / 26 / 23	38 / 28 / 25
Dimension	Indoor [H×W×D]	mm	260 × 575 × 575
	Panel [H×W×D]	mm	51 × 700 × 700
Net Weight	Indoor	kg	18.0
	Panel	kg	2.5
Outdoor Unit			
Sound Pressure Level [Hi]	dB [A]	47-48	49-50
Dimension	Outdoor [H×W×D]	mm	540 × 780 × 289
	Net Weight	kg	31.0
Piping Connection	Gas Pipe	mm (inch)	12.70 (1/2)
	Liquid Pipe	mm (inch)	6.35 (1/4)
Pipe Length	Min-Max	m	3.0-15.0
Elevation Difference		m	15.0
	Maximum Chargeless Length	Max	7.5
Additional Gas		g/m	15
Operating Range, Outdoor	Min-Max	°C	16-43

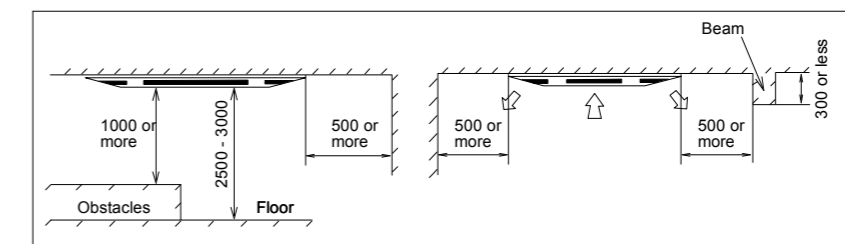
Dimensions



When raising the drain head above the unit



Required space for installation



Unit:mm

CEILING DUCTED

Model No.
CS-T19KD2H5
CS-T24KD2H5
CS-T34KD2H5
CS-T43KD2H5



TECHNICAL FOCUS

- Auto Fan Mode
- Random Auto Restart
- Dry Mode Function
- Weekly Timer
- 24-Hour On/Off Real Setting Timer
- Odor Wash
- Economy Mode
- Self-Diagnostic Function
- Selectable Thermo Sensor



Accessories

Remote Controller



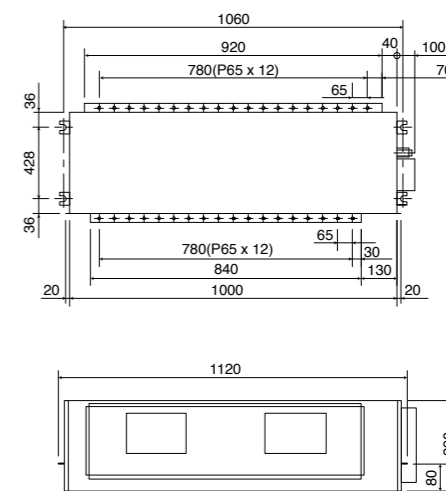
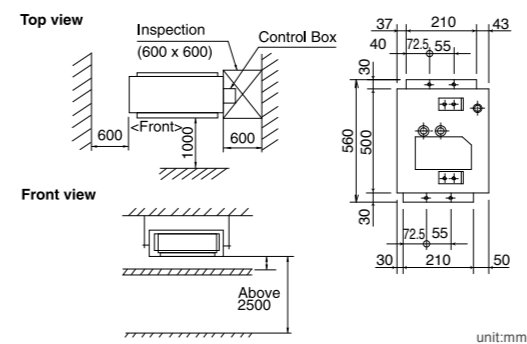
A wired remote controller is in the same package with the indoor unit.

CZ-RD513C



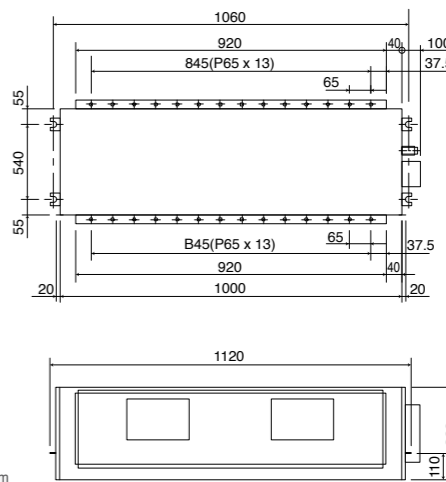
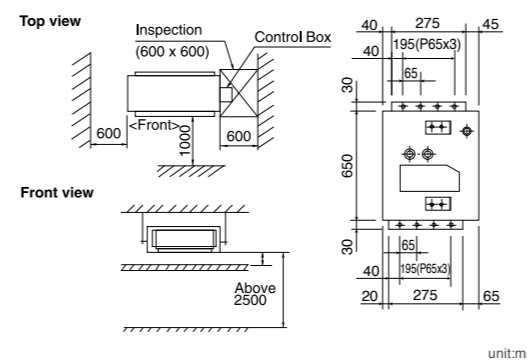
Dimensions (CS-T19KD2H5 / CS-T24KD2H5)

Required space for installation



Dimensions (CS-T34KD2H5 / CS-T43KD2H5)

Required space for installation



Capacity [Btu/h]		19,100	24,200	34,100	42,600
Power Source	V/Phase Hz	220-230-240 V, 1Ø Phase - 50 Hz			
Indoor		CS-T19KD2H5	CS-T24KD2H5	CS-T34KD2H5	CS-T43KD2H5
Outdoor		CU-YT19KBH52	CU-YT24KBH52	CU-YT34KBH52	CU-YT43KBH52
Cooling Capacity: Rated (Min-Max)	kW	5.60 [2.00-6.30]	7.10 [2.00-7.50]	10.00 [3.80-10.50]	12.5 [3.80-13.00]
	Btu/h	19,100 [6,820-21,500]	24,200 [6,820-25,600]	34,100 [13,000-35,800]	42,600 [13,000-44,300]
Current: Rated	A	8.8-8.5-8.3	12.0-11.6-11.2	17.3-16.7-16.1	20.9-20.3-19.6
Power Input: Rated (Min-Max)	kW	1.86 [0.60-2.35]	2.53 [0.70-2.70]	3.65 [1.30-4.10]	4.42 [1.30-4.70]
Rated COP / EER	W/W	3.01	2.81	2.74	2.83
	Btu/hW	10.27	9.57	9.34	9.64
External Static Pressure	Pa [mm Ag]	69 [7]	69 [7]	98 [10]	98 [10]
Indoor Unit					
Air Volume	m ³ /min	22.0	22.0	35.0	35.0
Sound Pressure Level [Hi/Lo]	dB [A]	45 / 41	45 / 41	49 / 45	49 / 45
Sound Power Level [Hi/Lo]	dB	62 / 58	62 / 58	64 / 60	64 / 60
Dimension	Indoor [H×W×D]	mm	290 × 1,000 + 100 × 500	290 × 1,000 + 100 × 500	360 × 1,000 + 100 × 650
Net Weight	kg	31.0	31.0	43.0	43.0
Outdoor Unit					
Sound Pressure Level	dB [A]	49	50	53	54
Sound Power Level	dB	67	68	71	72
Dimension	Outdoor [H×W×D]	mm	795 × 875 + 70** × 320	795 × 875 + 70** × 320	795 × 900 × 320
Net weight	kg	65.0	65.0	66.0	94.0
Piping Connection	Gas Pipe	mm (inch)	15.88 [5/8]	15.88 [5/8]	15.88 [5/8]
	Liquid Pipe	mm (inch)	9.52 [3/8]	9.52 [3/8]	9.52 [3/8]
Pipe Length	Min-Max	m	7.5-30.0	7.5-30.0	7.5-30.0
Elevation Difference	m	25	25	30	30
Maximum Chargeless Length	Max	m	30	30	30
Additional Gas	g/m	-	-	50	50
Operating Range, Outdoor	Min-Max	°C	16-43	16-43	16-43

CEILING EXPOSED NEW

Model No.
S-38PT2T5
S-43PT2T5



TECHNICAL FOCUS

- nanoe™ X for Air Purification
- Random Auto Restart
- Auto Fan Mode
- Weekly Timer (Wired Remote Controller only)
- 24-Hour On/Off Real Setting Timer
- Odor Wash (Wired Remote Controller only)
- Economy Mode (Wired Remote Controller only)
- Dry Mode Function
- Self-Diagnostic Function
- Selectable Thermo Sensor (Wired Remote Controller Only)



Accessories

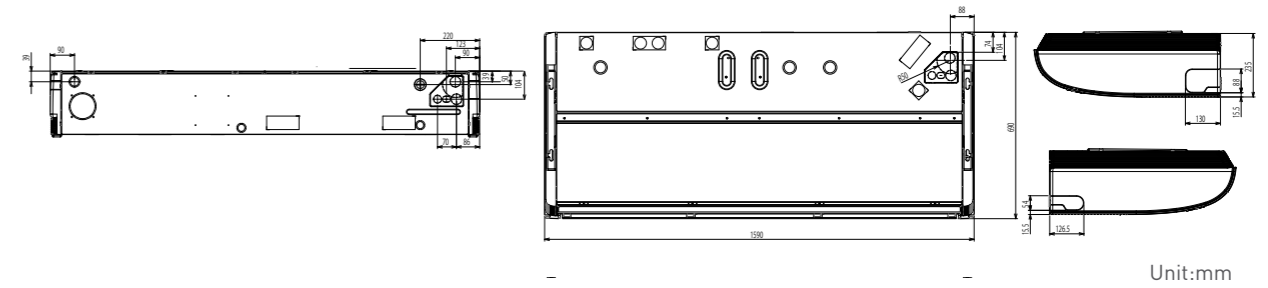
Selectable Remote Controller



Capacity [Btu/h]		30,700	35,200
Power Source	V/Phase Hz	220-240 V, 1Ø Phase - 50 Hz	
Indoor		S-38PT2T5	S-43PT2T5
Outdoor		U-34PS2Z5	U-43PS2Z5
Cooling Capacity: Rated (Min-Max)	kW	9.00 (4.40-12.30)	10.30 (4.40-13.00)
	Btu/h	30,700 (15,000-42,000)	35,200 (15,000-44,400)
Current: Rated (Max)	A	11.1-10.2 (24.0)	14.1-13.0 (26.0)
Power Input: Rated (Min-Max)	kW	2.20 (0.75-3.73)	2.80 (0.75-4.43)
	W/W	4.09	3.68
Rated COP / EER	Btu/hW	13.95	12.57
	W/W	4.93	4.65
Weighted COP / EER	Btu/hW	16.81	15.86
Indoor Unit			
Air Volume	m³/min	32.0	35.0
Sound Pressure Level (Hi/Lo)	dB (A)	43 / 36	46 / 37
Sound Power Level (Hi/Lo)	dB	58 / 51	61 / 52
Dimension	Indoor (H×W×D)	mm	235 × 1,590 × 690
Net Weight		kg	39
Outdoor Unit			
Sound Pressure Level	dB (A)	54	55
Sound Power Level	dB	68	69
Dimension	Outdoor (H×W×D)	mm	996 × 980 × 370
Net Weight		kg	74
Piping Connection	Gas Pipe	mm (inch)	15.88 (5/8)
	Liquid Pipe	mm (inch)	9.52 (3/8)
Pipe Length	Min-Max	m	7.5-50
Elevation Difference		m	30
Maximum Chargeless Length	Max	m	30
Additional Gas		g/m	50
Operating Range, Outdoor	Min-Max	°C	16-43



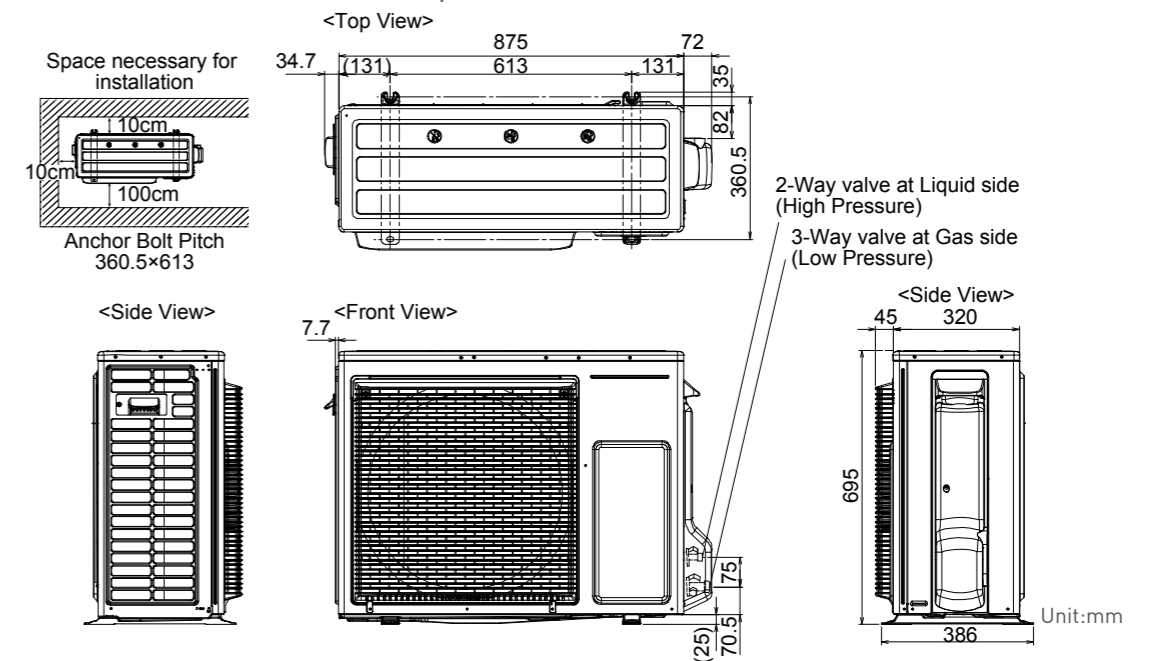
Dimensions (S-38PT2T5 / S-43PT2T5)



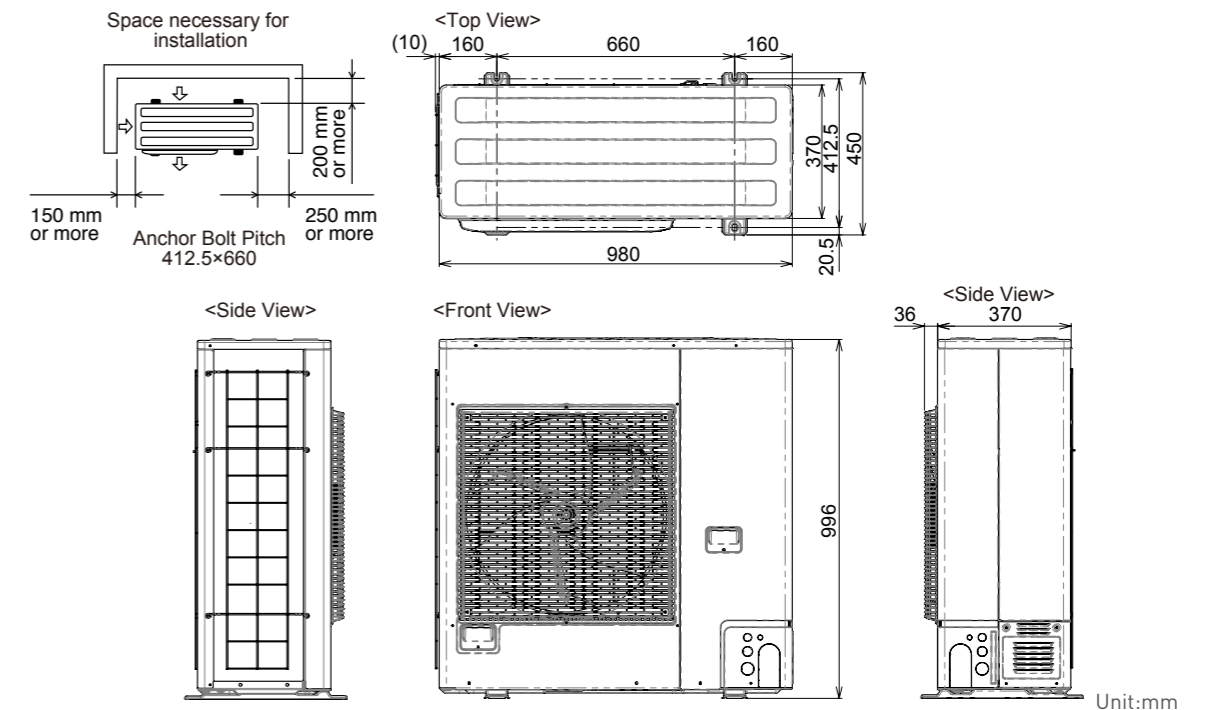
OUTDOOR UNITS

4-WAY CASSETTE / CEILING EXPOSED NEW

Dimensions (U-18PS2Z5 / U-24PS2Z5) 1-phase

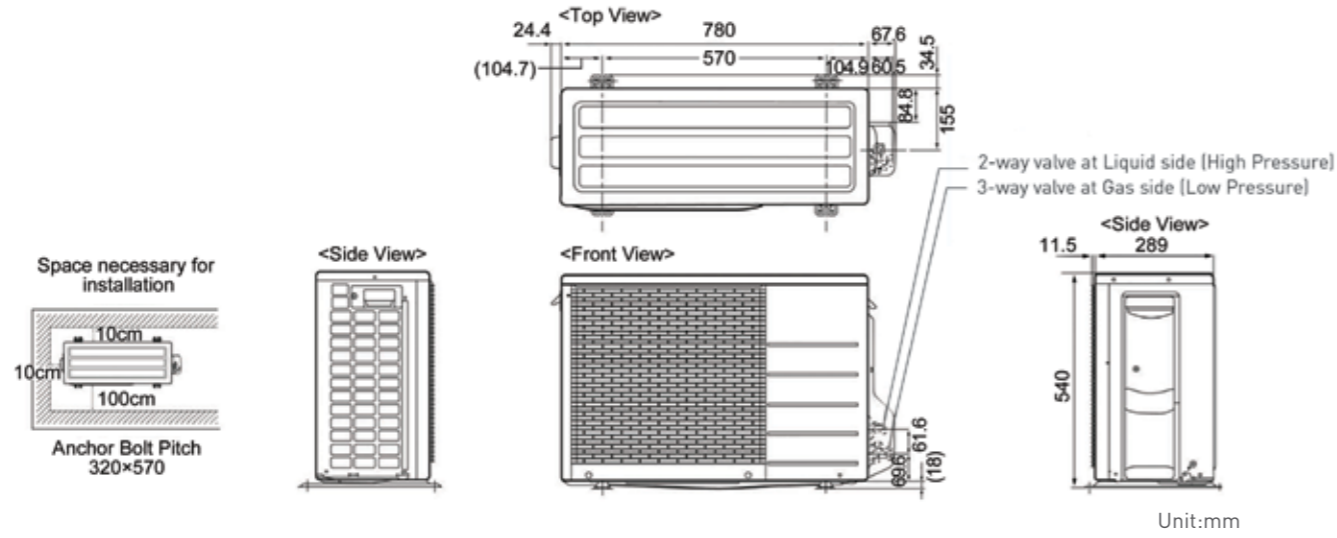


Dimensions (U-34PS2Z5 / U-43PS2Z5) 1-phase

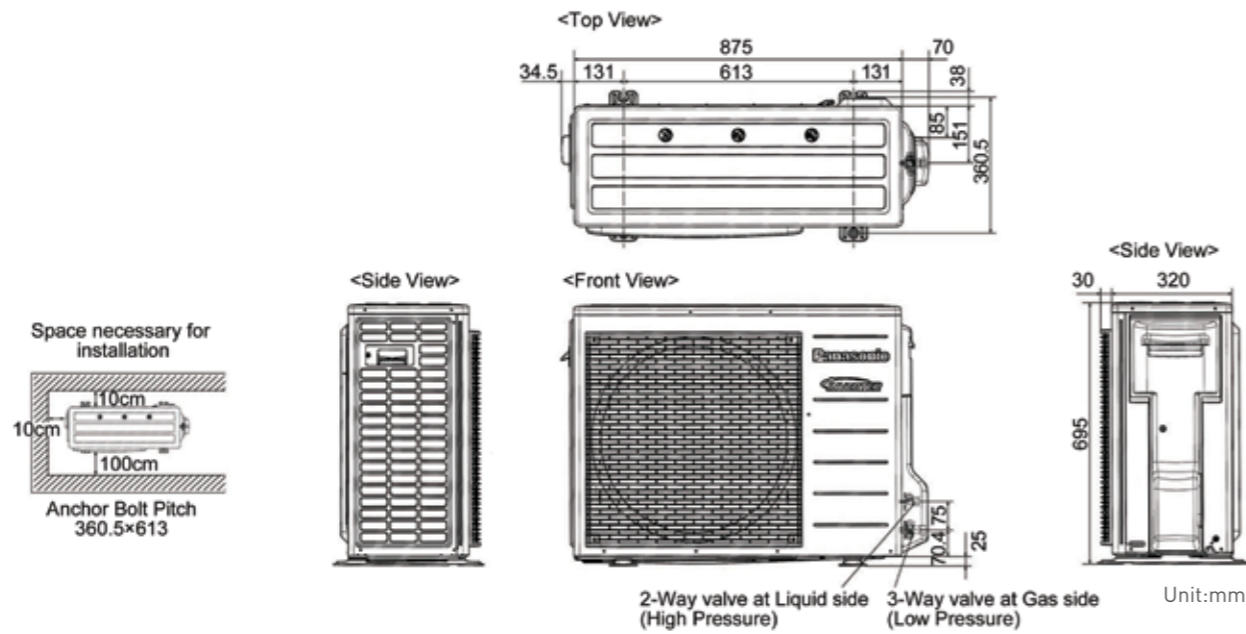


MINI CASSETTE

Dimensions (CU-S12MBZ) 1-phase

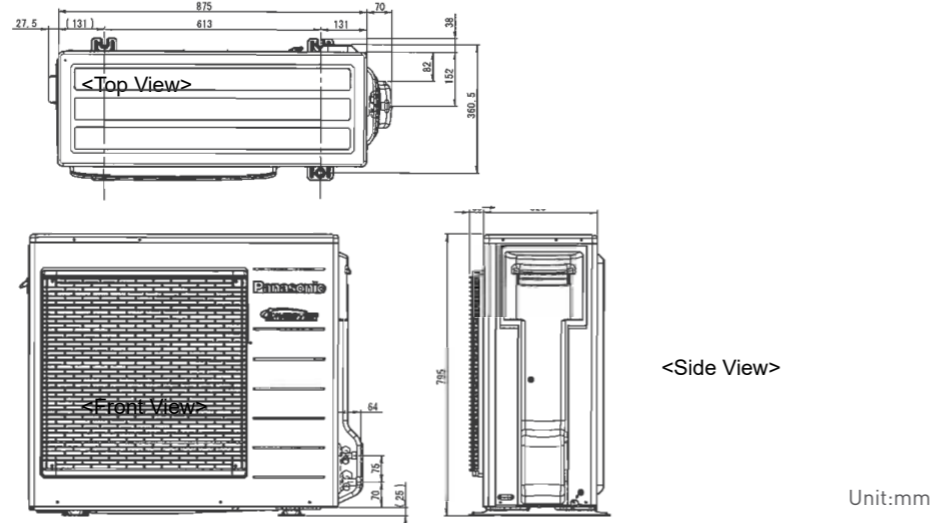


Dimensions (CU-S18MBZ) 1-phase

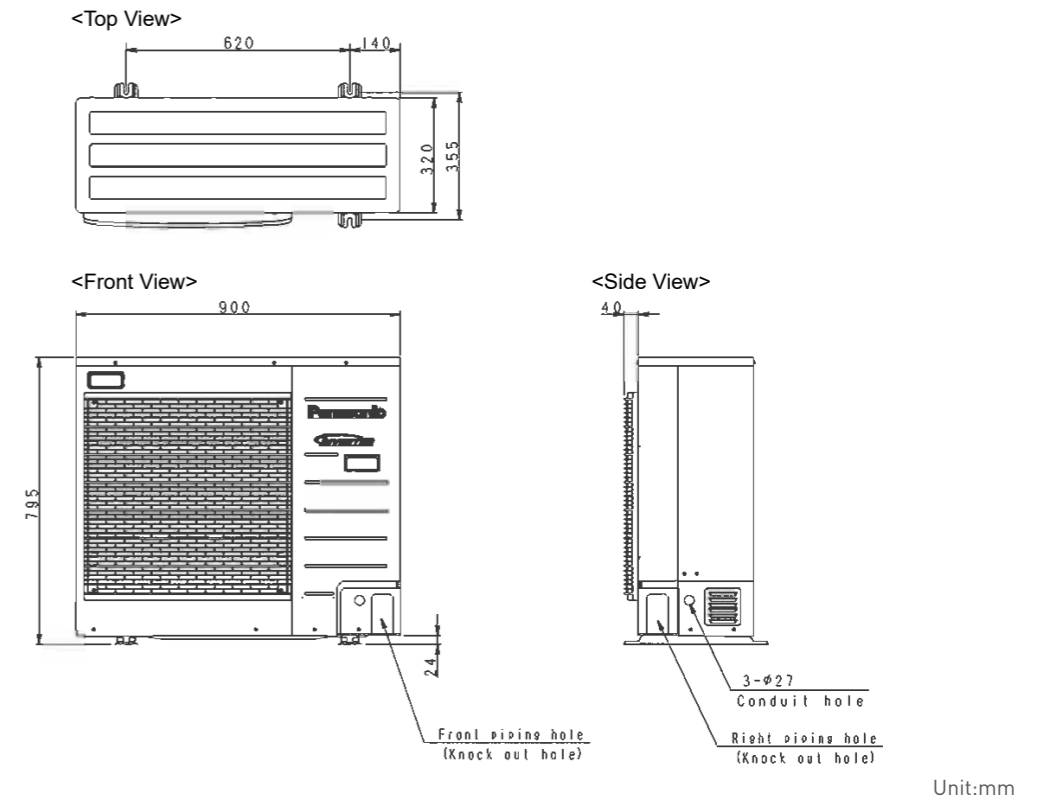


CEILING DUCTED

Dimensions (CU-YT19KBH52 / CU-YT24KBH52) 1-phase



Dimensions (CU-YT34KBH52) 1-phase



Dimensions (CU-YT43KBH52) 1-phase

